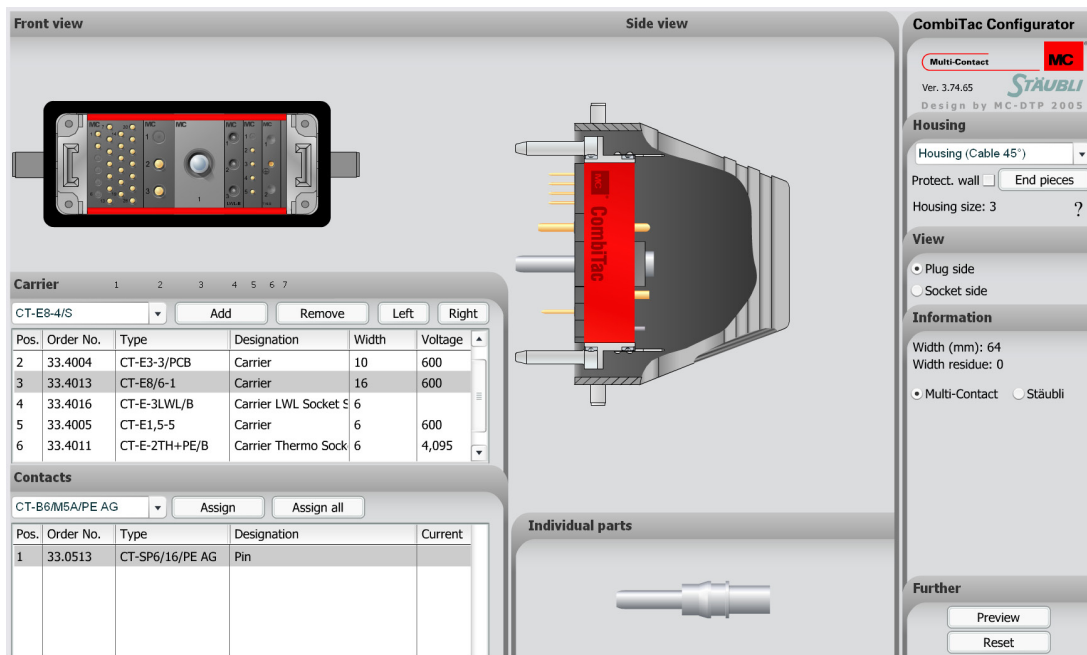


Online Full Version: for requests & orders

Online School Version: for learning, testing or just playing



Contents:

1. CombiTac Full Version

- 1.1. First Step
- 1.2. Preview
- 1.3. Registration
- 1.4. Price selection
- 1.5. Preview
- 1.6. Send inquiry

2. myLogin

- 2.1. List of quotations
- 2.2. Request details
- 2.3. Search for module no

3. General guidelines

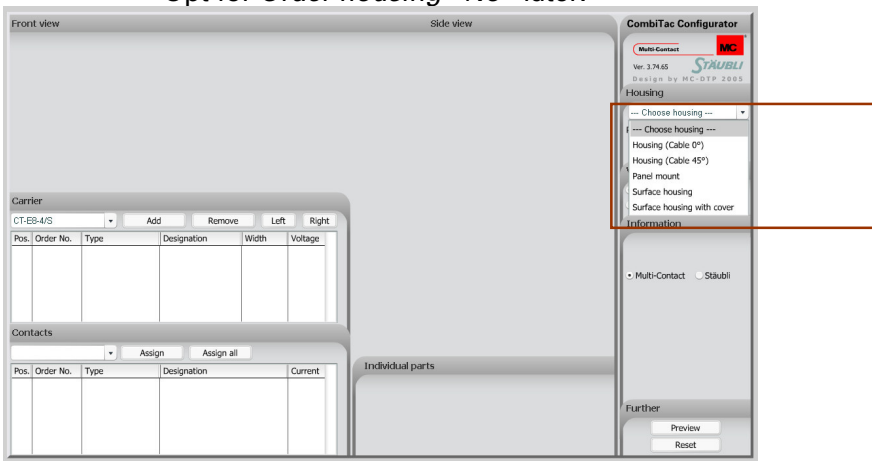


1. CombiTac Webversion

1.1 First Step:

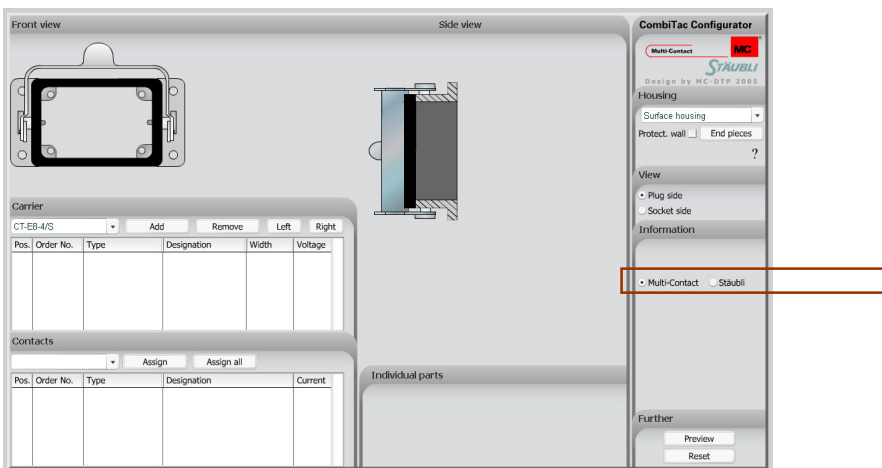
Select the mounting method for the male part

- Surface mount housing
- Surface mount housing with cover
- Housing with straight entry
- Housing with side entry
- Panel mounted (only use with Multi-Contact Configurations)
- When CombiTac is to be installed in a housing provided by the customer:
Opt for *Order housing "No"* later.



After selecting the type of mounting for the male part - in the example the surface mount housing - the option Multi-Contact or Stäubli can be chosen. Mixed combinations are possible.

- **Multi-Contact** = Contact carrier with pre-assembled contacts according to customer's requirement
- **Stäubli** = Contact carrier with full complement of contacts according to the Stäubli article designation which **cannot** be altered.



Using the "Question mark" **?** direct help can be found in this view (will be adapted later).



- Select Contact carrier and **Add**.

As an example of the two selection alternatives for the contact carrier one can choose between Stäubli in which the contacts cannot be altered and Multi-Contact in which the contacts can be custom selected.

- The selected contact carriers are numbered consecutively.

- The contact carriers are selected from the list. The active contact carrier appears brighter.

- The selected contact carrier can be deleted with **Delete** or moved to the **Left** or the **Right**.

- The contacts of the selected contact carrier can be altered (only for Multi-Contact). The selected contact 'blinks' in the front view. In the selection menu all the various versions of the contact to be selected are shown. If no blind plugs are required the selection 'empty' is to be chosen. The contacts can be individually assigned with **Assign** or with **Assign all** all contacts of one type selected for the active contact carrier. The Configurator automatically assigns the contacts to the opposite half of the CombiTac. It only remains to be checked if this pre-selection conforms to the customer's requirements.

- In **Side view** the selected Configuration is shown.

- In **Individual parts** the selected contacts are shown.

- When **Female part** is selected the view is altered accordingly.

The contacts and housing selected automatically can be corrected, if necessary.

- Every additional alteration and **Preview** can only be done from the active **Male part**.

- The housing size is adapted to suit the length of the selected contact carriers.

- During assembly of the **End pieces** free space is filled with spacers. The spacers can be moved to the **Left** or **Right**, as required.

If a double housing is required, in this view an additional choice is presented with Row 1 and Row 2.

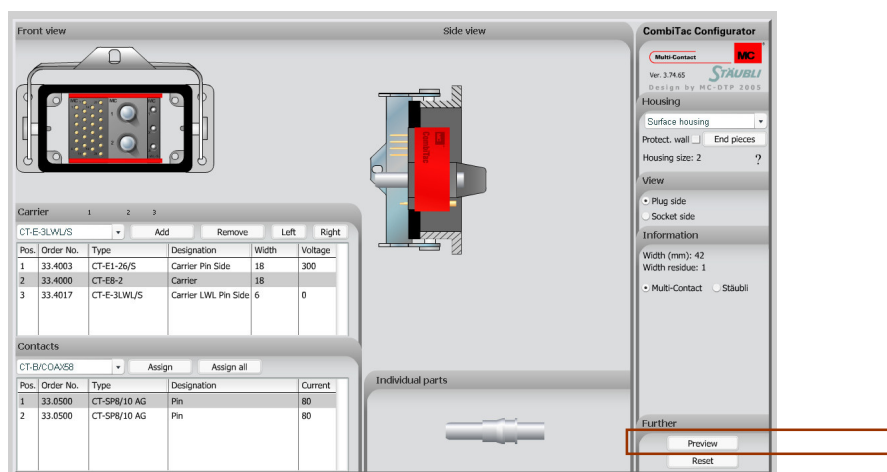
In this way one can switch between the two rows. However, it is not possible to move the contact carriers from one row to the other. To do that use **Remove** and **Add** accordingly.

- The housing size is shown: **Housing size: X**

- The width of the selected contact carriers is shown at **Width (mm): X**

- **Residual width** (only for housings) shows how much empty space in mm is still available for selection.

- When the total width for panel mounted of 180 mm is reached a warning is given.



When the desired Configuration has been completed press **Preview**.

Reset allows the Configuration to be deleted.



1.2 Preview:

With Preview the following can be seen:

- Both views are in Macromedia Flash – Use the right mouse key to zoom and the depressed left key to pan
- Enter the required **Quantity of male parts**
- Enter the required **Quantity of female parts**
- **Order tools**
 - Yes** All the tools required for the Configuration are selected.
 - No** No tools are selected.
 - Select** All the tools appear and can be individually selected.
- **Order housing** **Yes or No**
- **Coding** **Yes or No** (The coding arrangement is always C1 according to the Catalogue)
- The parts list **Male part** and **Female part** shows in detail the chosen Configuration.
The contact carriers are numbered in the parts list as shown in the Front view.
The contact numbering corresponds to the numbers on the contact carriers.
- **Caution:** The given rail length does not correspond to the actual rail length.

The screenshot shows the 'Combitac' configurator interface. At the top, there are two views: 'Male part' and 'Female part'. The 'Male part' view shows a rail with contact carriers numbered 1, 2, and 3. The 'Female part' view shows a corresponding rail with contact carriers numbered 1, 2, and 3. Below these views is the 'Further information' section, which contains several input fields and buttons:

- Quantity of male parts:
- Quantity of female parts:
- Order of tools:
- Order of housings:
- Version:
-

1.3 Registration:

The screenshot shows the 'Combitac Login' form. It has a header that says 'Registered user can login here. You don't have an access? Just do the registration now!'. Below this are two input fields: 'Username' and 'Password'. There is a button labeled 'Anmelden' (Login) and a link labeled 'Registration'.

Only registered users may proceed.

- Enter Username
- Enter Password

The screenshot shows the 'Registration form'. It is divided into three main sections:

- Contact information ('Duty fields')**: Includes fields for Company, Department, Name, Address, ZIP / City, Country (with a dropdown menu), Phone, Fax, and E-Mail.
- Login information ('Duty fields')**: Includes fields for Username, Password, and Confirm password.
- Comments**: A text area for user comments.

At the bottom of the form are two buttons: 'Send inquiry' and 'Reset'.

During registration certain essential data are requested. After registering the user can perform other tasks with the Configurator. Access to data such as prices will be authorised from and controlled by MC.



1.4 Price selection:

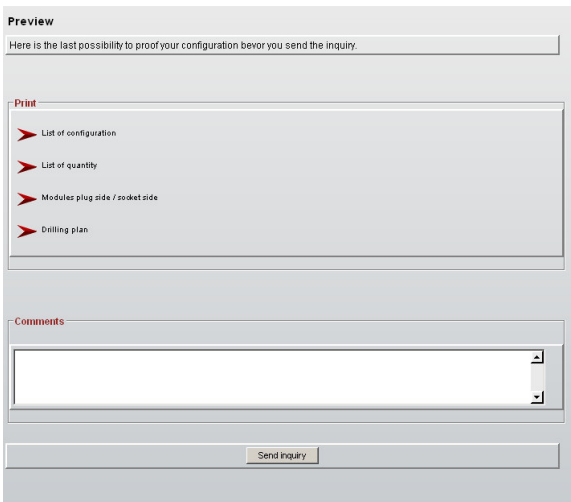


Depending on agreement with MC the user will be assigned access to various prices.
In this way retail prices can be directly calculated and quoted to the customer.

This view only appears if the user has been assigned more than one price type.
In the standard version no prices will be assigned.

1.5 Preview:

This is the last chance to check the configuration before requesting a quotation.



Parts list

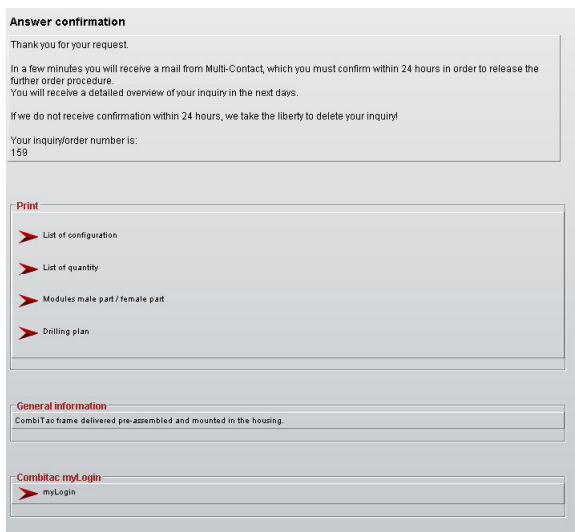
- Total parts list for the ordered quantity of CombiTacs with/without tools
- Price as total for the quoted quantity of male/female parts.
- Details regarding weight of the ordered quantity of CombiTacs and tools.
- Diagrams of male and female parts:
 - View Flash (with zoom)
- Drilling plan = Installation dimensions for the Configuration
- Remarks = Opportunity to provide additional information

Send inquiry

Configuration is saved and a number assigned and sent via email to MC for checking.

IMPORTANT: If the Configuration is not sent it will not be saved.

1.6 Send inquiry:



General Information appears here regarding the selected Configuration.

- **Print:** The parts list, diagrams and drilling plan can be individually printed.

- At **myLogin** the configuration can be viewed after entering your Username and Password.



2. myLogin

Multi-Contact **MC** STÄUBLI GROUP

Home Products News Sales Contact Downloads About us Feedback Search

Products CombiTac Configurator

Industrial Connectors
Automatic Systems
Medical Industry
Renewable Energy
Test & Measurement
Specials
Fluid & Gas connectors
MC ecology

Multi-Contact presents a new tool...
Create your own CombiTac within minutes.

- **NEW - Online Full Version** (for requests & orders)
- **myLogin** (for registered users)
- **NEW - Online School Version** (for learning, testing or just playing)
- Help documentation about this tool
- CombiTacline PDF inquiry, ordering and fax form (PDF)
- To the **CombiTacline** Catalogue

Only for registered users

Here you are able:

- To change the username
- To change the password
- To view your list of quotations
- To search via module no.
- To logout

myLogin

- Modify user data
- Change password
- Inquiry listing
- Search Modul No.
- Logout

2.1 List of quotations:

The quotations already made can be listed here in chronological order.

myLogin inquiry

➤ Back to start page

<< < > >> [1 / 1]

ID order	Date	Modul No. pin side	Modul No. socket side	Offer / Order	Print inquiry details / new inquiry
121	18.02.2005 10:22:21	0356	0357	Offer asked	➤ Detail information
120	18.02.2005 08:30:23	0380	0381	Offer asked	➤ Detail information
119	18.02.2005 08:29:43	0356	0359	Offer asked	➤ Detail information
118	18.02.2005 08:26:24	0356	0357	Offer asked	➤ Detail information



2.2 Request details

myLogin inquiry

➤ Back to start page

<< < > >> [1 / 11]

Order No. : 167

Modul No. male part : 0378

Modul No. female part : 0379

Date : 24.02.2005 11:45:31

Versions : Variante Nocken

Order of housings : Yes

Order of tools : Yes

Quantity of male parts : 5

Quantity of female parts : 5

List of quantity : ➤

List of configuration : ➤

Modules male part / female part : ➤

Drilling plan : ➤

Re-ordering : Ordering again is not possible, because offer inquiry was not released yet.

Comments :

Order No. RFQ number
 Part No. (male) The male part has even numbers.
 Part No. (female) The female part has odd numbers.

Standard versions are additionally given as 34.xxxx.

Date: The date when the quotation was requested.
 Version: Info. regarding the selected coding
 Housing Yes / No
 Tools: Yes / No / Selection
 Quantity of male parts / female parts

List of quantity Complete parts list with price and weight (Price only if authorisation assigned)

List of config... Selected configuration

Modules male ... Print preview of male/female parts

Drilling plan Assembly dimensions of the Configuration

Re-ordering Possibility of re-ordering the same CombiTac part. In so doing a new Order No. will be created. However, the Part No. stays the same.



Generates automatically a PDF document of the complete Configuration with list.

2.3 Search for module no.:

myLogin User Details

➤ Back to start page

Modul No.

Search Reset

An existing configuration can be directly selected here by giving the module No.



3. General guidelines:

Preview

Here is the last possibility to proof your configuration bevor you send the inquiry.

Print

- > List of configuration
- > List of quantity
- > Modules plug side / socket side
- > Drilling plan

Comments

Send Inquiry

After **1.6 Request for quotation** the quotation will be checked at MC and confirmed by email. Therefore please only send serious requests or make a note in "Comments" that MC-Basel need take no action. (to be modified)

If an order follows an order confirmation will be generated in SAP in which case the details in the Configuration list and the PDF diagrams are binding.

Repeat orders are possible by quoting the Part No. for the male and female parts. The male part has even numbers and the female part odd numbers.

An existing Configuration cannot be altered after the first order. Subsequent alterations generate a new Part No. It is therefore not necessary to organise alterations.

If you have problems with the Configurator contact us over the Hotline: combitac@multi-contact.com

Multi-Contact, 17.2.2005

